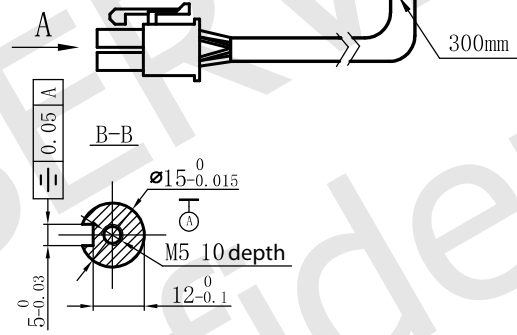
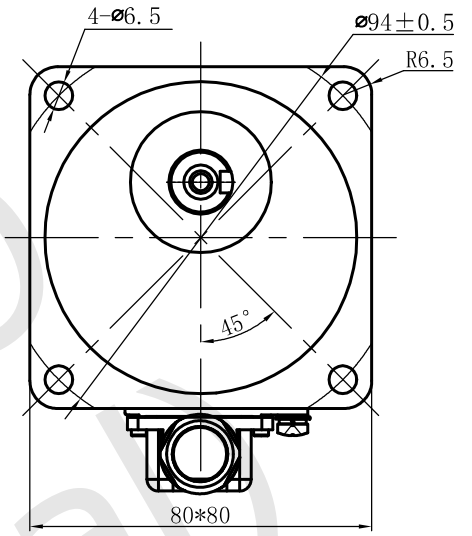
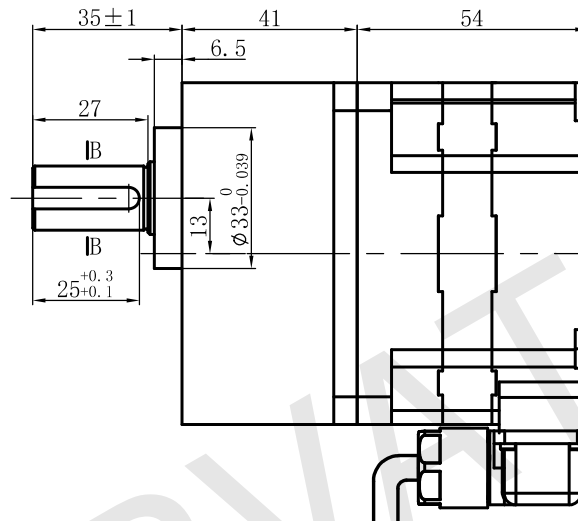
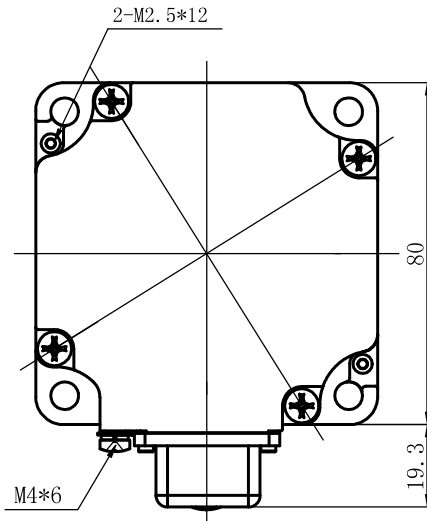


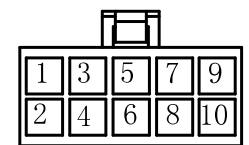
RoHS



GEARBOX SPECIFICATIONS	
REDUCTION RATIO	1:15
EFFICIENCY	81%
RATED TORQUE	4.64 Nm
NOISE	<60dB(A)
MOTOR SPECIFICATIONS	
RATED VOLTAGE	220 Vac
POLE PAIRS	5
PHASES	3
RATED CURRENT	2.0 A
PEAK CURRENT	--- A
RATED POWER	120 W
RATED TORQUE	0.382 Nm
PEAK TORQUE	--- Nm
RATED SPEED	3000 rpm ±10%
NO LOAD SPEED	4000 rpm ±10%
INSULATION CLASS	Class B, 130°C
IP CODE	IP54
DIELECTRIC STRENGTH	1800 V/S
INSULATION RESISTANCE	>50Mohm
LINE TO LINE RESISTANCE	--- ohm ±10%
LINE TO LINE INDUCTANCE	--- mH ±20%
ROTOR INERTIA	--- kg.cm ²
BACK EMF	--- Vrms/Krpm
OPERATING TEMPERATURE	-10°C ~ +40°C
STORAGE TEMPERATURE	-20°C ~ +70°C
WEIGHT	--- g. approx

WIRING DIAGRAM

1	2	3	4	5	6	7	8	9	10
Blue	Yellow	Yellow	Green	Green	Blue			Red	Black
W	Hu	U	Hv	V	Hw			V _{cc} -5V	GND



Lead wires 300 mm length

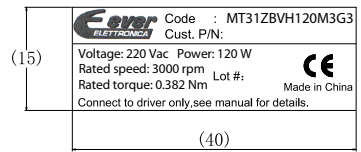
UNIT: mm
UNLESS OTHERWISE SPECIFIED TOLERANCES
DIMENSIONS : ±0.3 mm DEGREES : ±5%
ORTHOGRAPHIC PROJECTION

DESIGN	Stm02571-00
CHECK	
APPROVED	
DATE	07 / 11 / 2022

DRAWING NOT TO SCALE

REV	00 - First release.

LABEL



YYWWXXXX (25 x 8)
Stator barcode label

MT31ZBVH120M3G3
DC BRUSHLESS MOTOR SPECIFICATION

