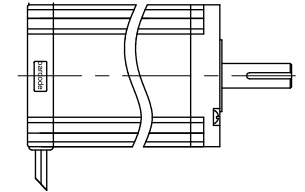
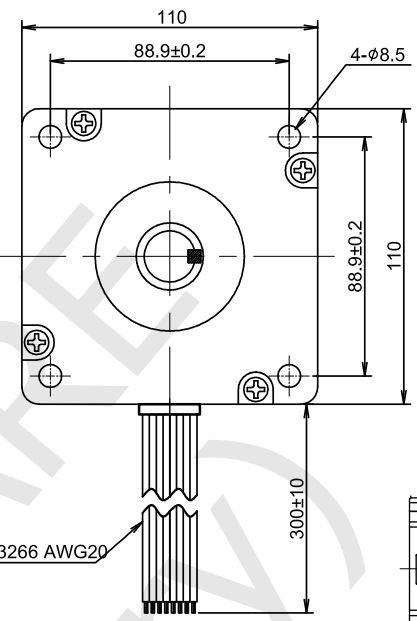
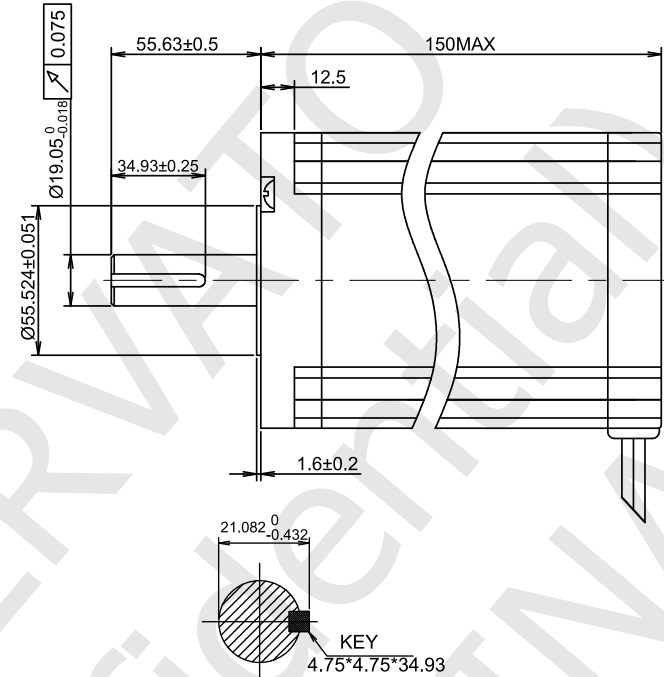
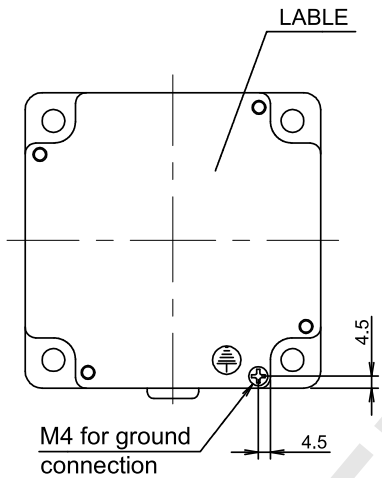
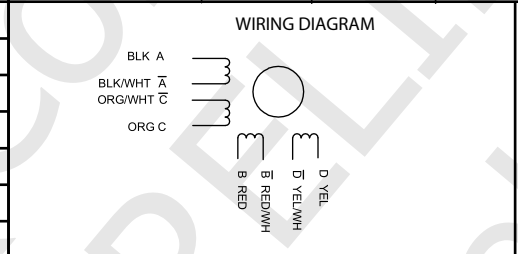
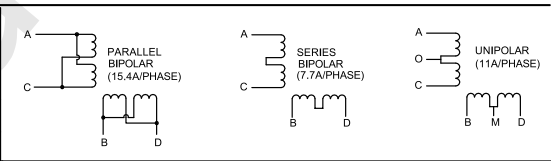


RoHS



MOTOR SPECIFICATIONS	
STEP ANGLE	1.8° ±5%
RATED CURRENT	11.00 Amps/Ph
HOLDING TORQUE	22.00 Nm Min.
RESISTANCE	0.26 ohm ±0.1 at 25°C
INDUCTANCE	1.75 mH ±20% at 1kHz, 1Vrms
ROTOR INERTIA	11100 g.cm ²
INSULATION CLASS	Class F, 155°C
DIELECTRIC STRENGTH	1500 Vac 1 minute
IP CODE	IP20
PULL OUT TORQUE	---
BACK EMF	---
DETENT TORQUE	---
WEIGHT	8700 g. approx
TEMPERATURE RISE	105 K Max.
OPERATING TEMPERATURE	-20°C ~ +50°C
STORAGE TEMPERATURE	-20°C ~ +70°C
SHAFT AXIAL LOAD	100 N
SHAFT RADIAL LOAD	360 N (ON THE SHAFT END)

CONNECTION MODE	RESISTANCE (ohm)	INDUCTANCE (mH)	RATE CURRENT (A)	RATE VOLTAGE (V)	HOLDING TORQUE N.m(oz.in)
UNIPOLAR	0.26	1.75	11	2.86	15.5(2192)
SERIES BIPOAR	0.52	7	7.7	4.00	22(3111)
PARALLEL BIPOLAR	0.13	1.75	15.4	2.00	22(3111)



EXCITING SEQUENCE (TWO PHASES) VS. DIRECTION OF ROTATION

STEP	A	B	A-bar	B-bar
1	+	+	-	-
2	-	+	+	-
3	-	-	+	+
4	+	-	-	+

CLOCK WISE VIEW FROM MOUNTING SIDE

LABELS

YYWWXXXXX (25 x 8)
Stator barcode label

UNIT: mm	DESIGN	Stm01031-01a
UNLESS OTHERWISE SPECIFIED TOLERANCES	CHECK	
DIMENSIONS : ±0.3 mm DEGREES : ±5%	APPROVED	
DRAWING NOT TO SCALE	DATE	09 / 09 / 2019

MT42HE59110M8K
STEPPING MOTOR SPECIFICATION

REV	01a - First release with new drawing.