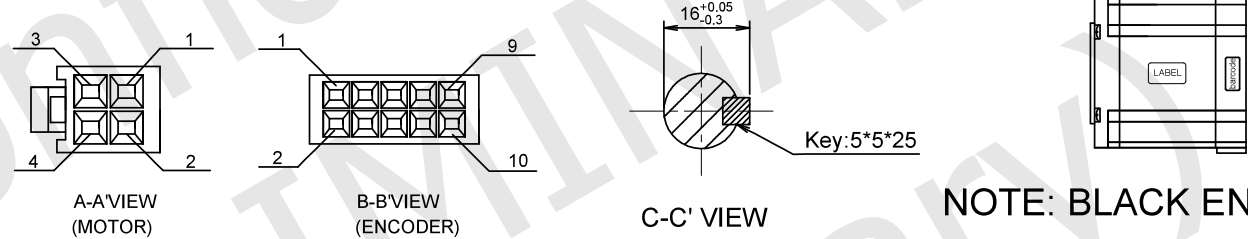
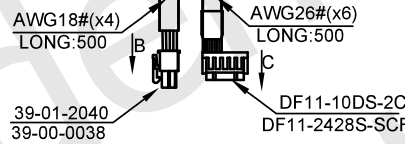
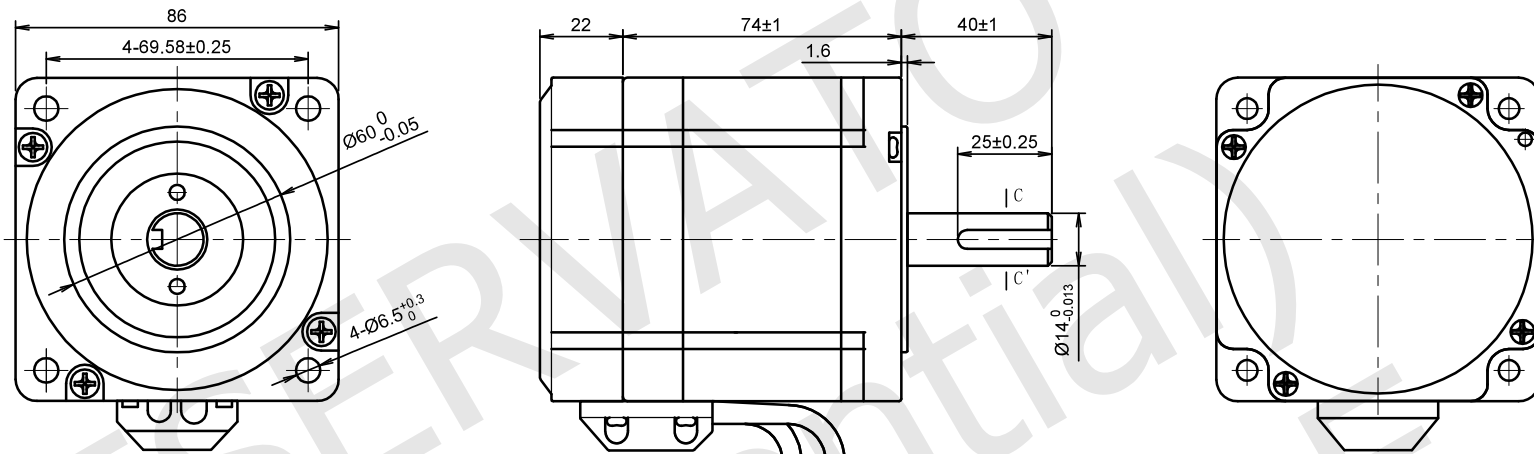
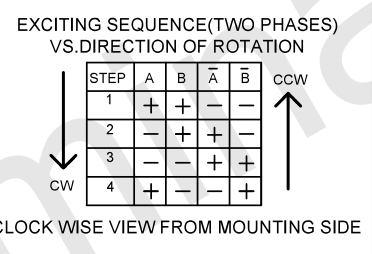
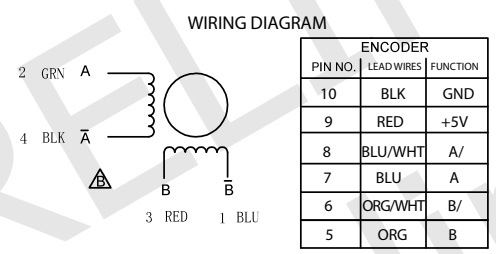


RoHS



NOTE: BLACK ENDBELLS

ENCODER SPECIFICATIONS	
ENCODER TYPE	Incremental quadrature
POWER SUPPLY	5.00 Vdc
RESOLUTION	1000 ppr
OUTPUT TYPE	Line driver
MOTOR SPECIFICATIONS	
STEP ANGLE	1.8° ±5%
RATED CURRENT	6.00 Amps/Ph
HOLDING TORQUE	4.20 Nm Min.
RESISTANCE	0.34 ohm ±10% at 25°C
INDUCTANCE	2.70 mH ±20% at 1kHz, 1 Vrms
ROTOR INERTIA	1900 g.cm ²
INSULATION CLASS	Class B, 130°C
DIELECTRIC STRENGTH	500 Vac 1 minute
IP CODE	IP20
PULL OUT TORQUE	---
BACK EMF	---
DETENT TORQUE	---
WEIGHT	2300 g. approx
TEMPERATURE RISE	80K Max.
OPERATING TEMPERATURE	-20°C ~ +50°C
STORAGE TEMPERATURE	-20°C ~ +70°C
SHAFT AXIAL LOAD	60 N
SHAFT RADIAL LOAD	220 N (ON FRONT SHAFT END)



LABELS

(15)

(40)

UNIT: mm UNLESS OTHERWISE SPECIFIED TOLERANCES DIMENSIONS : ±0.3 mm DEGREES : ±5% ORTHOGRAPHIC PROJECTION	DESIGN	Stm02435-00b
	CHECK	
	APPROVED	
	DATE	15 / 02 / 2022

MT34HE29060E401
STEPPING MOTOR SPECIFICATION



REV	00b - First release.