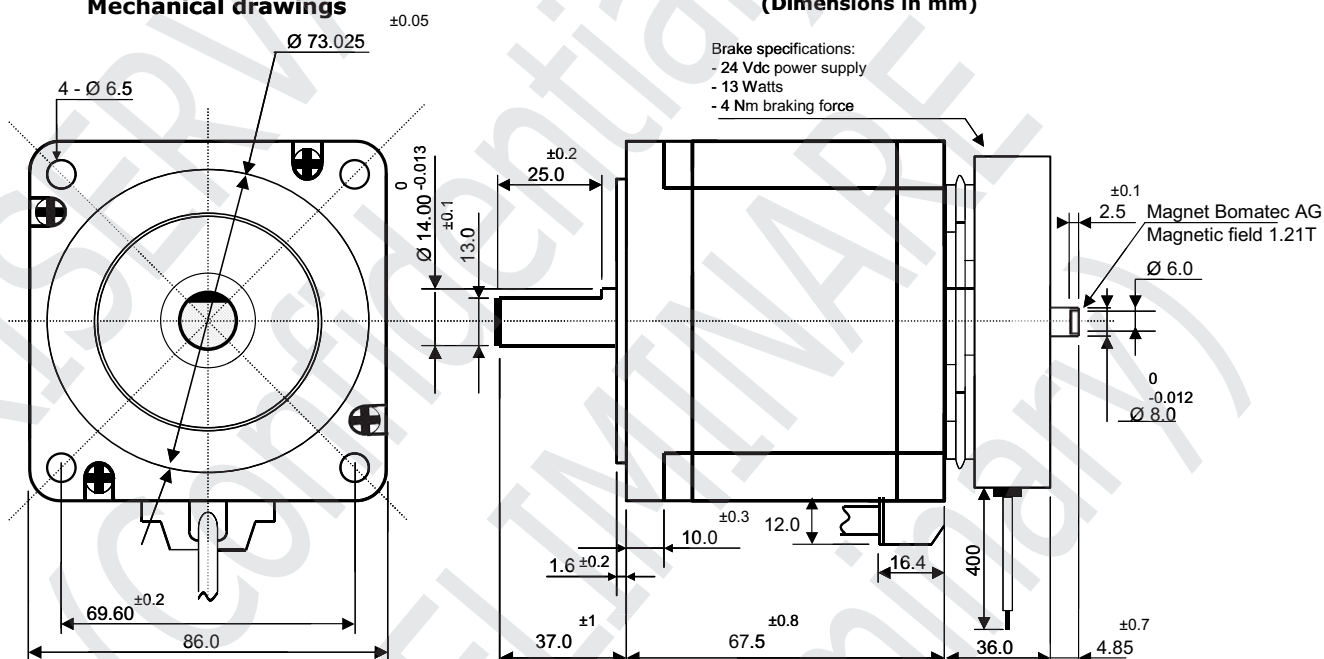


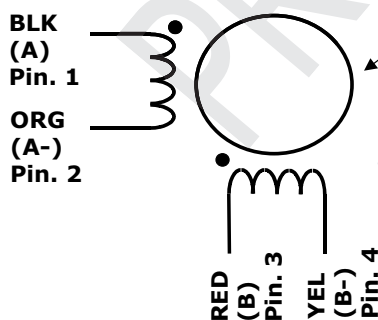
Motor Size	3.4" – 86 mm square shape	Step Angle	1.8° ±5%
Front Shaft	37.0 mm length – Ø 14.0 mm with D-cut 25.0 mm x 1.0 mm	Rear Shaft	4.85 mm length from brake – Ø 8.0 mm with magnet
Lead wires	# 4 lead wires	Lead Wire Length	1000 mm ±30 with tube
Rated Voltage	2.40 Volt	Rated Current	6.80 Amps/phase
Resistance	0.35 ohm ±0.1	Inductance	1.72 mH ±20%
Rotor Inertia	950 g.cm²	Bipolar Holding Torque	4.10 Nm min.
Winding	Bipolar parallel	Insulation class	Class B, 130°C
Ambient temperature	-20° ~ +40° C	Temperature rise	80K max
Shaft thrust load	60 N	Shaft radial load	220 N (on shaft end)

Mechanical drawings

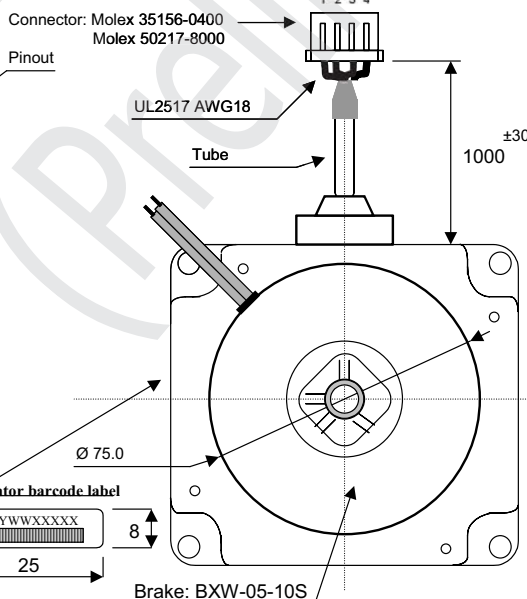
(Dimensions in mm)



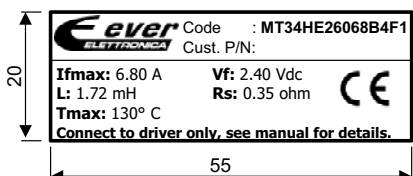
Connection lead wires color diagram



Rear flange



Motor Labelling



	MOTOR SPECIFICATION: STM01443-01	DATE: January, 26th 2017	CUSTOMER APPROVAL: _____
	EVER P/N: MT34HE26068B4F1		CUSTOMER CODE: _____