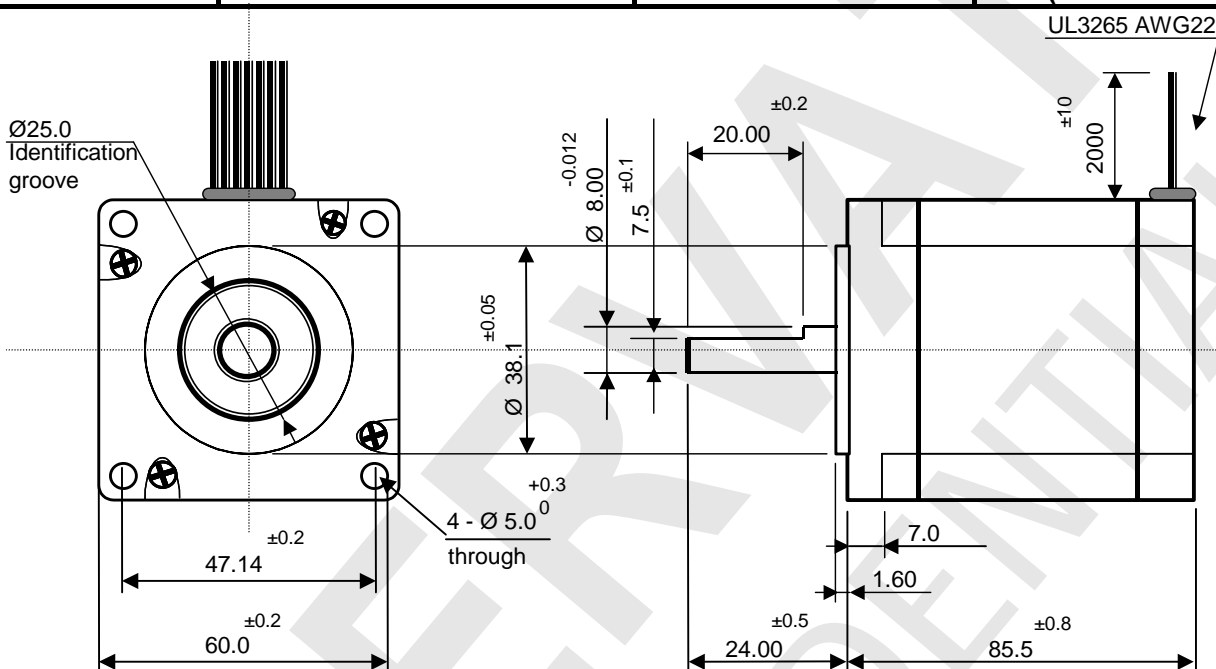
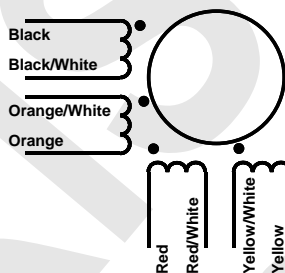


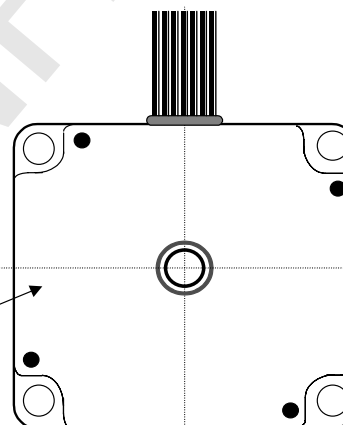
Motor size	<b>24" - 60 mm square flange</b>	Step Angle	<b>1.8° ±5%</b>
Front Shaft	<b>24.00 mm length - Ø 8.0 mm with D-cut 7.5 x 20.0 mm</b>	Rear Shaft	<b>None</b>
Lead wires	<b># 8 lead wires</b>	Lead Wire Length	<b>2000 mm ±10%</b>
Rated Voltage	<b>5.40 Volt</b>	Rated Current	<b>3.00 Amps</b>
Resistance	<b>1.80 ohm ±10%</b>	Inductance	<b>3.00 mH ±20%</b>
Winding	<b>Unipolar for bipolar parallel or bipolar serie connections</b>	Bipolar Holding Torque	<b>3.00 Nm</b>
Rotor Inertia	<b>810 g.cm.<sup>2</sup></b>	Insulation class	<b>Class B, 130°C</b>
Ambient temperature	<b>-20°C ~ +40° C</b>	Temperature rise	<b>80K max</b>
Shaft thrust load	<b>15 N</b>	Shaft radial load	<b>75 N (at the shaft end)</b>



Wiring diagram



Rear flange



Label



	Motor specification: STM00944-01e	Date: December, 5nd 2016	Customer approval: _____
	Ever motor code: MT24HE35030M801		Customer code: _____