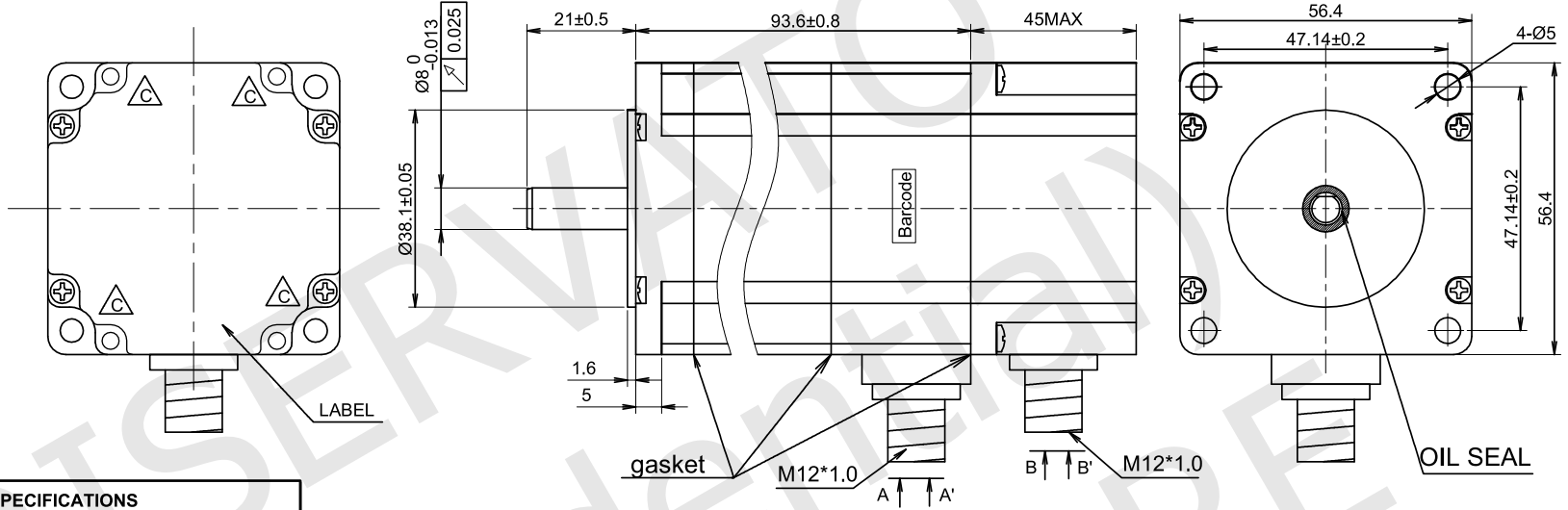


RoHS



A-A' VIEW  
M12 MALE 5 POLES  
CONNECTOR  
MOTOR



B-B' VIEW  
M12 MALE 8 POLES  
CONNECTOR  
ENCODER

**ENCODER SPECIFICATIONS**

ENCODER TYPE	$\Delta$	Absolute multiturn
POWER SUPPLY		5 Vdc
SINGLE TURN RESOLUTION	$\Delta$	17 bit
MULTI TURN RESOLUTION	$\Delta$	16 bit
OUTPUT TYPE		BISS-C

**MOTOR SPECIFICATIONS**

STEP ANGLE		1.8° ±5%
RATED CURRENT		4.20 Amps/Ph
HOLDING TORQUE	$\Delta$	2.00 Nm Min.
RESISTANCE		0.60 ohm ±0.15 at 25°C
INDUCTANCE		1.77 mH ±20% at 1kHz, 1 Vrms
ROTOR INERTIA		516 g.cm <sup>2</sup>
INSULATION CLASS		Class B, 130°C
DIELECTRIC STRENGTH		500 Vac 1 minute

**WIRING DIAGRAM**

MOTOR			ENCODER		
2	A	BLK	1	DATA +	WHT
1	A'	ORG	2	DATA -	GRN
4	B	RED	3	CLK+	BLU
5	B'	YEL	4	CLK-	PNK
			5	5Vdc	RED
			6	GND	GRY
			7	--	--
			8	--	--

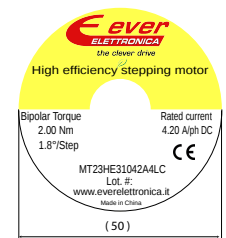
**EXCITING SEQUENCE(TWO PHASES)  
VS.DIRECTION OF ROTATION**

STEP	A	B	$\bar{A}$	$\bar{B}$	
1	+	+	-	-	CW
2	-	+	+	-	
3	-	-	+	+	
4	+	-	-	+	

CLOCK WISE VIEW FROM MOUNTING SIDE

**LABELS**

YYWWXXXXX (25 x 8)  
Stator barcode label



IP CODE		IP65
PULL OUT TORQUE		---
BACK EMF		---
DETENT TORQUE		---
WEIGHT		1000 g. approx
TEMPERATURE RISE		80K Max.
OPERATING TEMPERATURE		-20°C ~ +50°C
STORAGE TEMPERATURE		-20°C ~ +70°C
SHAFT AXIAL LOAD		15 N
SHAFT RADIAL LOAD		75 N (ON FRONT SHAFT END)

UNIT: mm  
UNLESS OTHERWISE SPECIFIED TOLERANCES  
DIMENSIONS : ±0.3mm DEGREES : ±5%

DESIGN	Stm01759-00e
CHECK	
APPROVED	
DATE	17 / 01 / 2020

**REV**

00a - First release.
00b - Changed the encoder leadwires type.
00c - Changed the holding torque and the rear cover.
00d - Changed the encoder wiring diagram function descriptions.
00e - Removed the cables.

**MT23HE31042A4LC**  
STEPPING MOTOR SPECIFICATION

