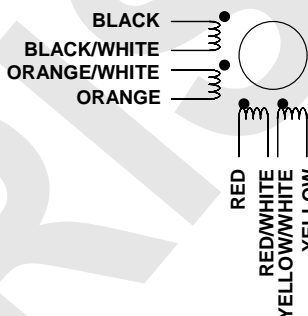
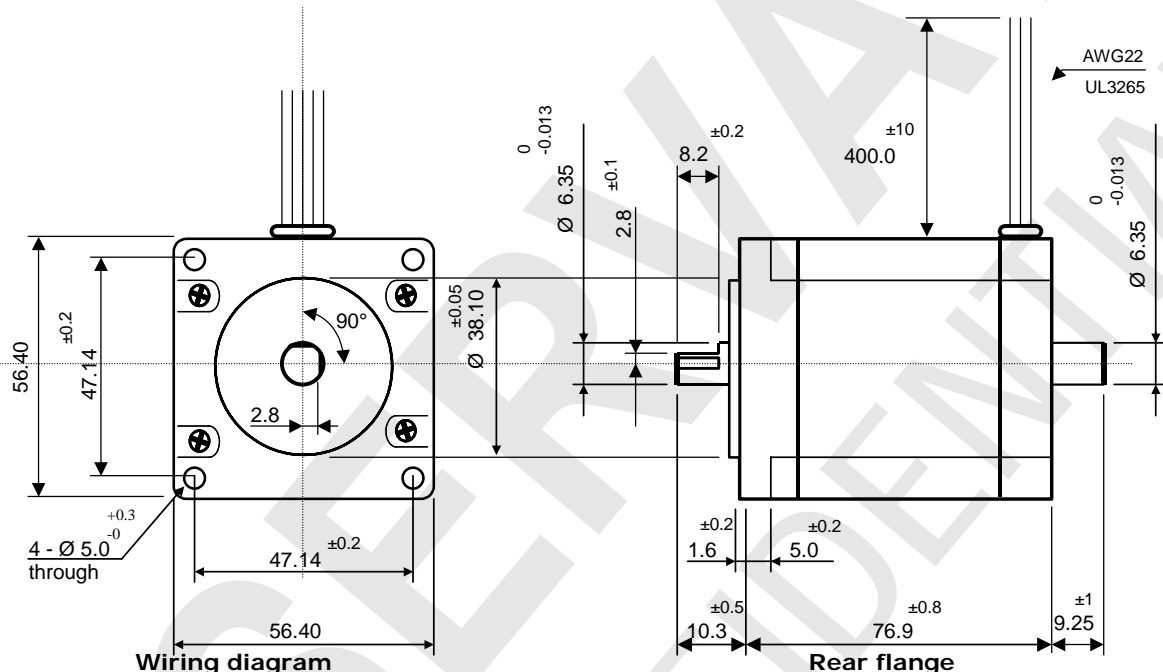
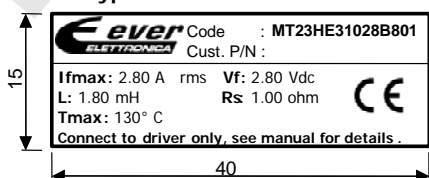


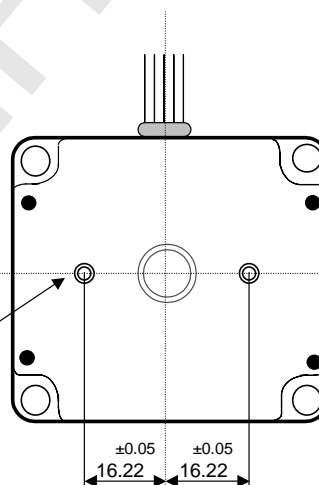
Motor Size	2.3" – 57 mm square shape		Step Angle	1.8° ±5%
Front Shaft	10.3 mm length – Ø 6.35 mm with double D-cut as drawing		Rear Shaft	9.25 mm length – Ø 6.35 mm
Lead wires	# 8 lead wires		Lead Wire Length	400 mm ±10mm
Rated Voltage	2.80 Volt		Rated Current	2.80 Amps/phase
Resistance	1.00 ohm ±15%		Inductance	1.80 mH ±20%
Motor Rotor Inertia	480 g.cm ²		Bipolar Holding Torque	1.83 Nm min
Winding	Unipolar for bipolar series or parallel connections		Insulation class	B, 130°C
Ambient temperature	-20°C ~ +40°C		Temperature rise	80K max
Shaft thrust load	15 N		Shaft radial load	75 N (at front shaft end)
Pullout Torque	Driver			
	Input Voltage		Current	
	Mode			
	Torque	1.10 Nm @ 600 rpm		



Motor Labelling
Label type: alluminum adhesive label



2 – M3 x 0.5
Depth 3 mm min.



	Motor specification: STM01394-01a	DATE: October, 14th 2016
	Motor code: MT23HE31028B801	