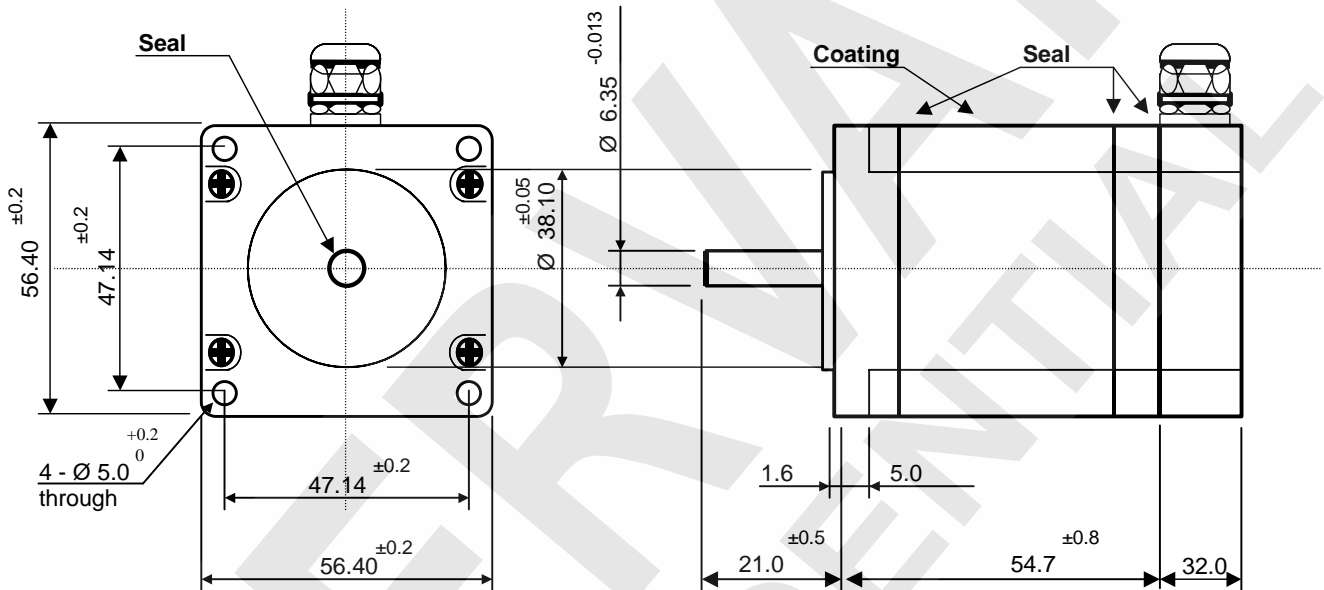
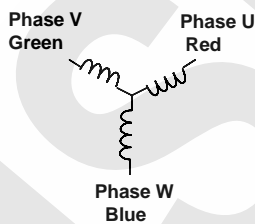


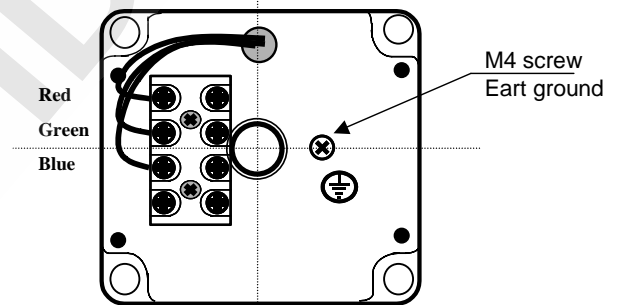
Motor Size	2.3" - 57 mm square shape	Step Angle	1.2° ±5%
Front Shaft	21.0 mm length - Ø 6.35 mm	Rear Shaft	None
Phases	3 phases (U, V, W)	Poles	50
Winding	# 3 terminal clamps	Lead Wire Length	None
Rated Voltage	3.19 Vdc	Rated Current	5.80 Amps/phase
Resistance	0.55 ohm ±10%	Inductance	1.30 mH ±20%
Motor Rotor Inertia	280 g.cm²	Motor Holding Torque	0.90 Nm
Ambient temperature	-20°C ~ +40°C	Temperature rise	80K max
Shaft thrust load	15 N	Shaft radial load	75 N (at front shaft end)
Protection	IP51	Insulation class	B, 130°C



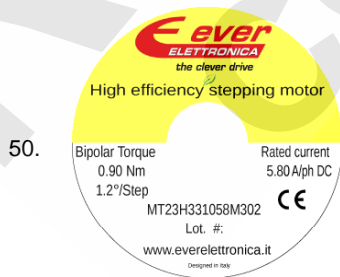
Wiring diagram



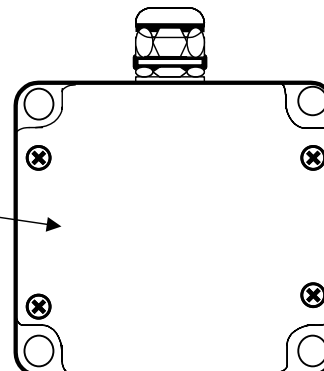
Inside terminal box



Motor Labelling



Rear terminal box



	Motor specification: STM01232-00b	DATE: January, 21st 2016	APPROVAZIONE CLIENTE: _____
	Motor code: MT23H331058M302		CODICE CLIENTE: _____