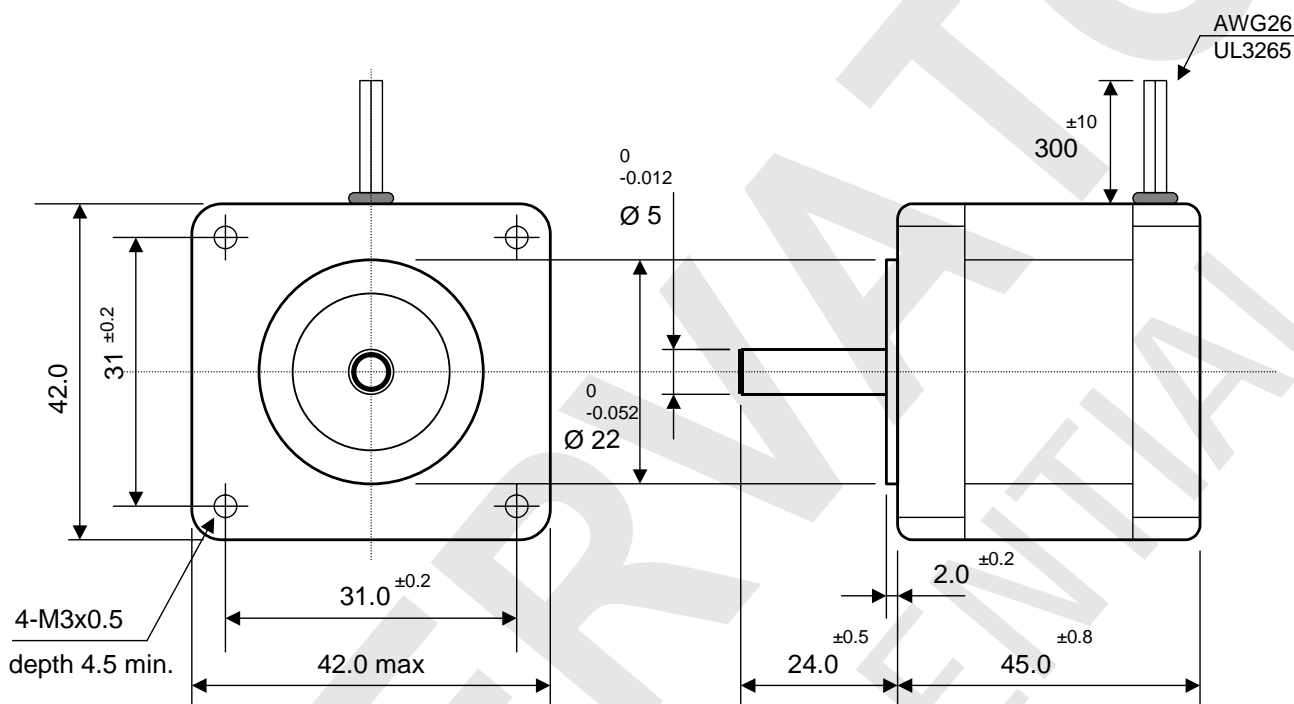
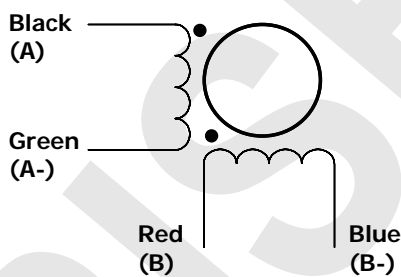


Motor size	1.7" flange - 42 mm square	Step Angle	0.9° ±5%
Front Shaft	24.00 mm length - Ø 5.00 mm	Rear Shaft	None
# of lead wires	# 4 lead wires	Lead Wire Length	300 mm ±10
Rated Voltage	2.80 Volt	Rated Current	1.68 A
Resistance	1.65 ohm ±10%	Inductance	4.10 mH ±20%
Winding	Bipolar	Holding Torque	4.40 Kg.cm. min.
Rotor Inertia	68 g.cm²	Insulation class	Class B, 130°C
Ambient temperature	-20° ~ +40° C	Temperature rise	80K max
Allowable thrust load	10 N	Allowable radial load	21 N (at front shaft end)

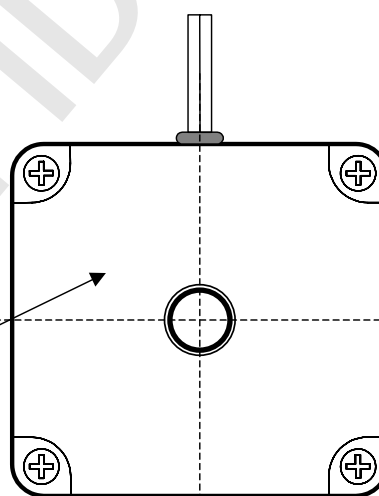
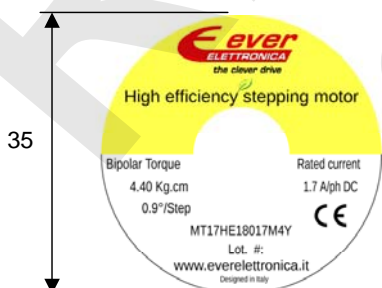


Wiring diagram



Rear flange

Motor Labelling



	Motor specification: STM01392-00	Date: September, 22nd 2016	Customer approval: _____
	Motor code: MT17HE18017M4Y		Customer p/n: _____