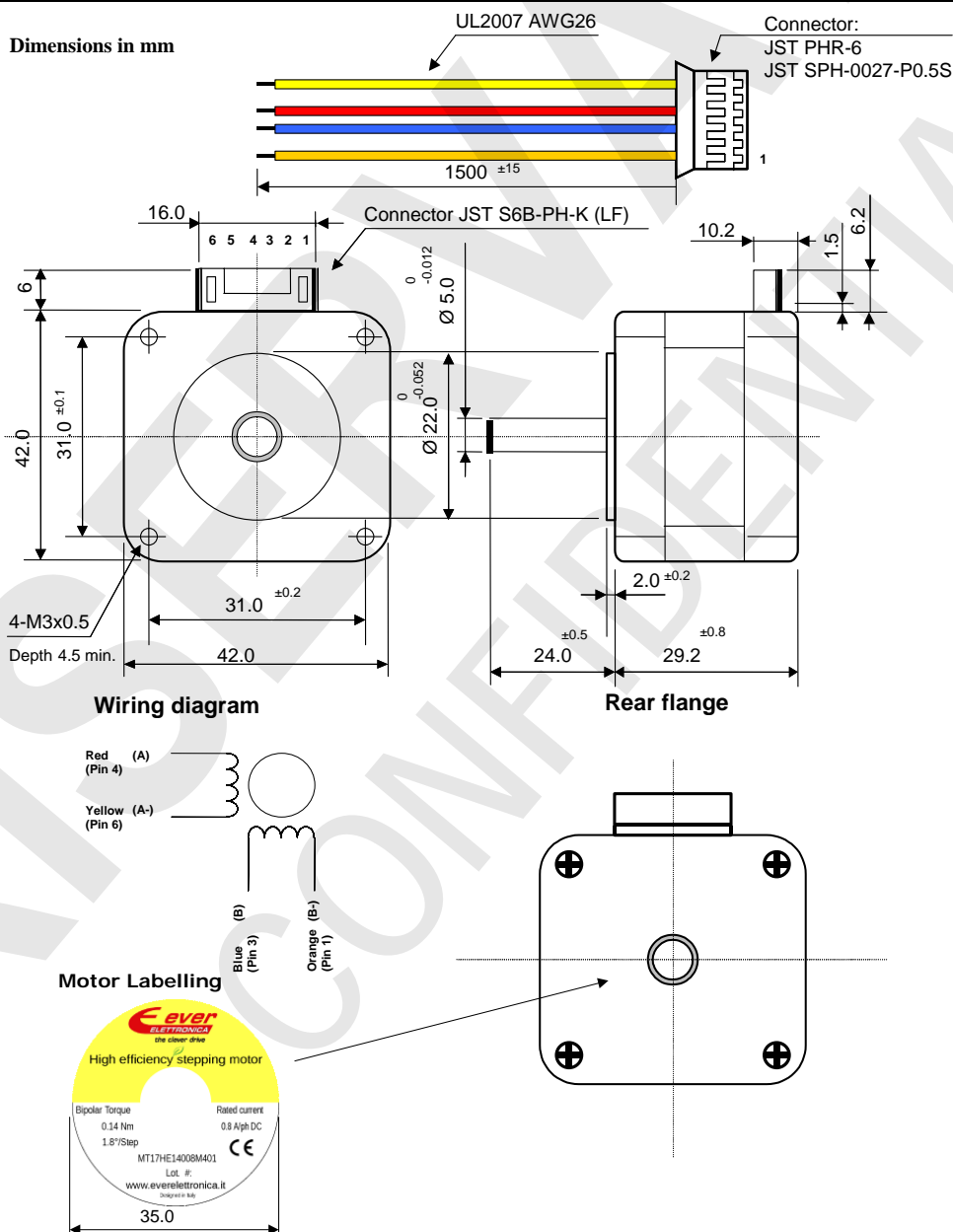


Motor size	<b>1.7" flange – 42 mm square</b>	Step Angle	<b>1.8° ±5%</b>
Front Shaft	<b>24.00 mm length – Ø 5.00 mm</b>	Rear Shaft	<b>None</b>
# of lead wires	<b># 4 pins in the connector on board</b>	Lead Wire Length	<b>1500 mm ±15</b>
Rated Voltage	<b>2.40 Volt</b>	Rated Current	<b>0.80 A</b>
Resistance	<b>3.00 ohm ±10%</b>	Inductance	<b>4.70 mH ±20%</b>
Winding	<b>Bipolar parallel</b>	Holding Torque	<b>0.14 Nm min.</b>
Rotor Inertia	<b>26.6 g.cm<sup>2</sup></b>	Ambient temperature	<b>-20° ~ +50° C</b>
Dielectric strength	<b>500V AC 1 minute</b>	Insulation class	<b>Class B, 130°C</b>
Allowable thrust load	<b>10 N</b>	Allowable radial load	<b>21 N (at front shaft end)</b>
Pullout Torque	Driver		
	Input Voltage		Current
	Mode		
	Torque	<b>118 mNm @ 1000 pps</b> <b>108 mNm @ 2000 pps</b> <b>88 mNm @ 3000 pps</b>	



	Motor specification : STM01012-02j	Date : August, 29th 2016	Customer approval: _____
	Motor code: MT17HE14008M401		Customer p/n: _____