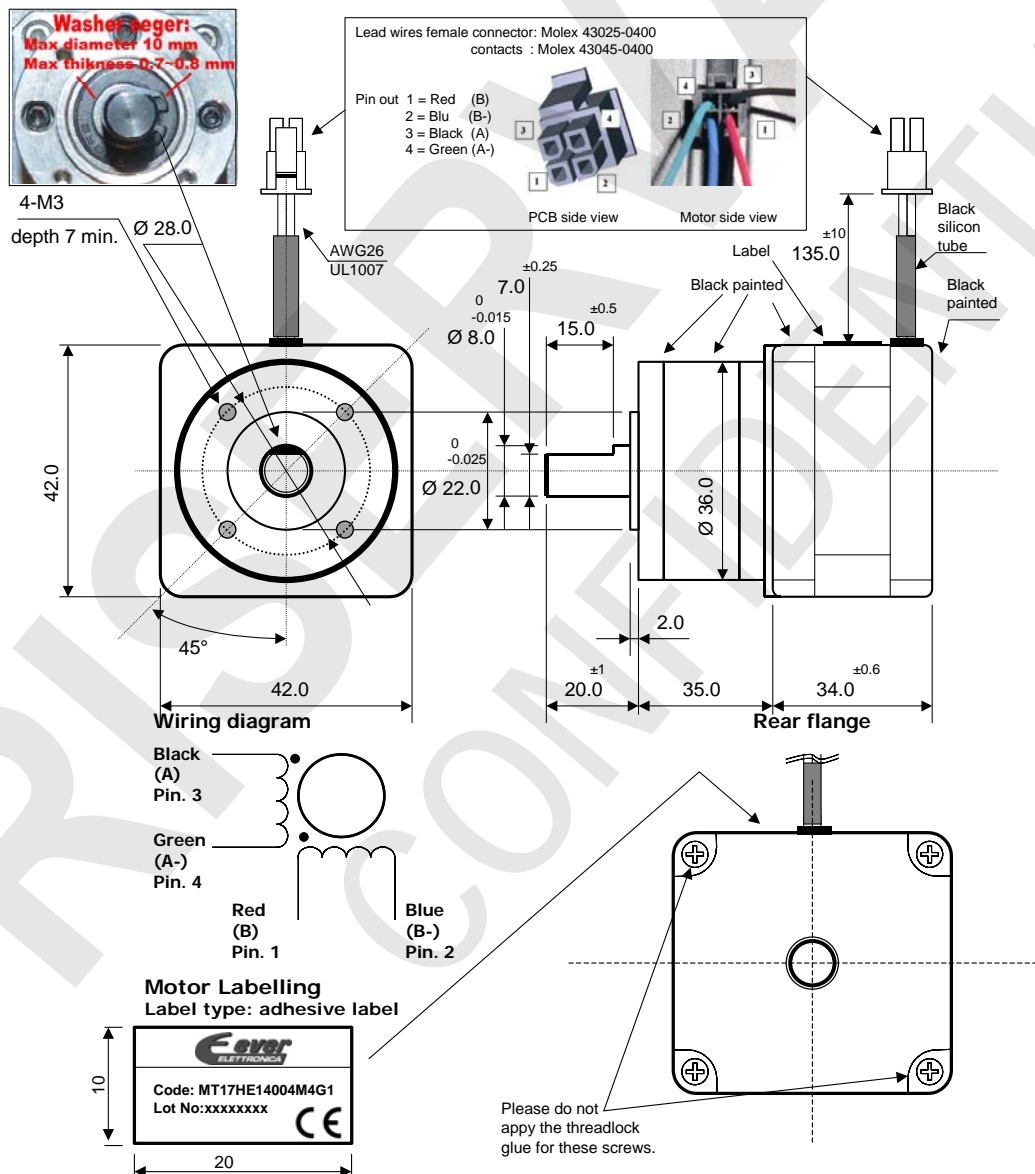


Motor size	1.7" flange – 42 mm square	Step Angle	1.8° ±5%
Gearbox Front Shaft	20.0 mm length – Ø 8.00 mm with D-cut 7.0 x 15.0 mm	Rear Shaft	None
Winding	# 4 lead wires – AWG26	Lead Wire Length	135 mm ±10 with silicon tube and custom connector as dwg
Rated Voltage	12.00 Volt	Rated Current	0.40 A/ph
Resistance	30.00 ohm ±10%	Inductance	35.00 mH ±20%
Winding	Bipolar	Holding Torque	0.26 Nm min.
Rotor Inertia	40 g.cm²	Insulation resistance	100 Mohm (500Vdc)
Dielectric strength	500V AC 1 minute	Insulation class	Class B, 130°
Ambient temperature	-20° ~ +40° C	Temperature rise	80K max.
Gearbox type	Planetary	Gearbox ratio	1:26.831
Gearbox efficiency	81%	Gearbox backlash at no-load	<=1°
Gearbox max permissible torque	3.0 Nm	Gearbox moment permissible torque	5.0 Nm
Gearbox shaft axial max load	50.0 N	Gearbox shaft radial max load	100.0 N



	Motor specification: STM01258-03e	Date: August, 2nd 2016	Customer approval: _____
	Motor code: MT17HE14004M4G1		Customer p/n: _____